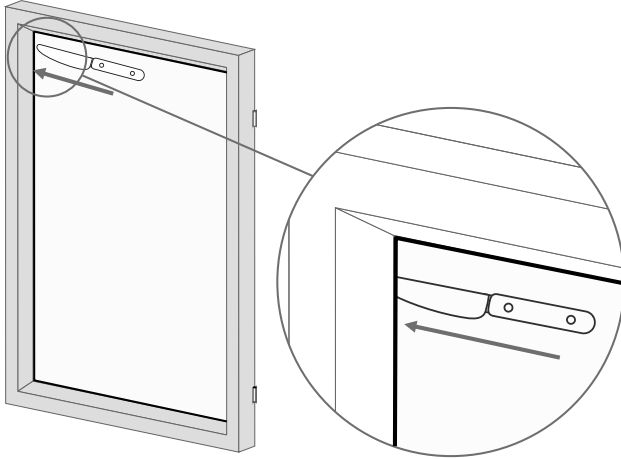


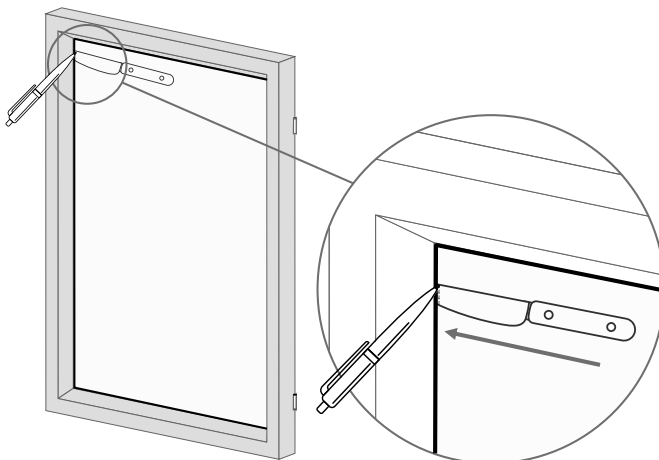
## CrosbyBlinds 25mm Wood Clic Bead-fit Blinds



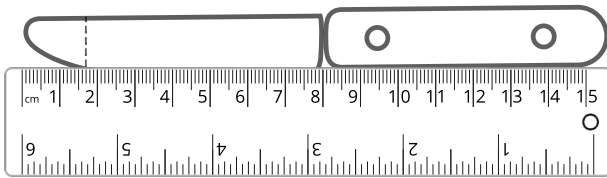
### Check your windows are suitable

When checking if your windows are compatible please use a blunt butter style knife to perform the test. The thickness of the knife will replicate the thickness of the bracket used to install this blind type. Please take care when using the knife.

To ensure that your window is suitable, slide the knife into your rubber gasket and carefully insert it as far as it will go in behind the frame. If required you can use washing up liquid or silicone polish to help the knife slide in.

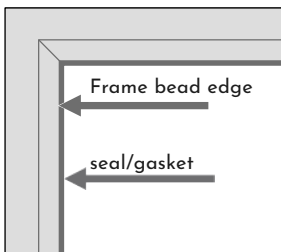


Mark the distance the blade travels under the gasket.



Measure this distance and if it is at least 17mm, your windows are suitable..

## Measuring

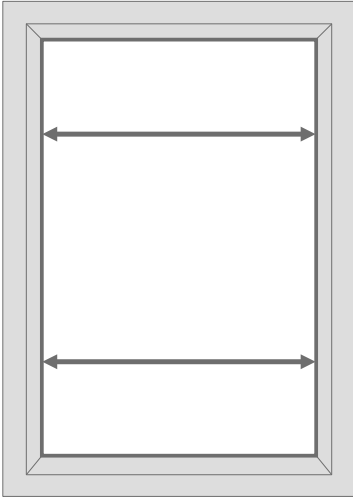


To ensure the best possible fit we require accurate measurements for both the width and drop of the blind.

Measure the full size of the visible glass between the gaskets. Order as glass size.

NB: The blind projects 32mm out from the glass to the front of the folded operating handle, important for bi-fold door operation.

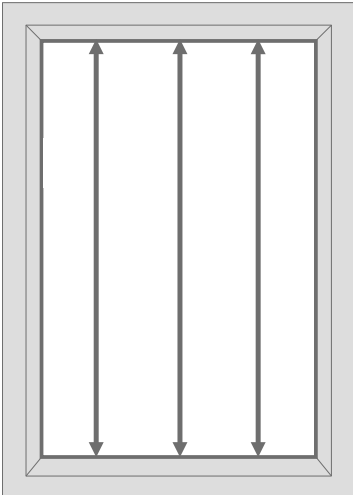
### Measuring Width



Take two measurements of the width, at the top and the bottom of the window.

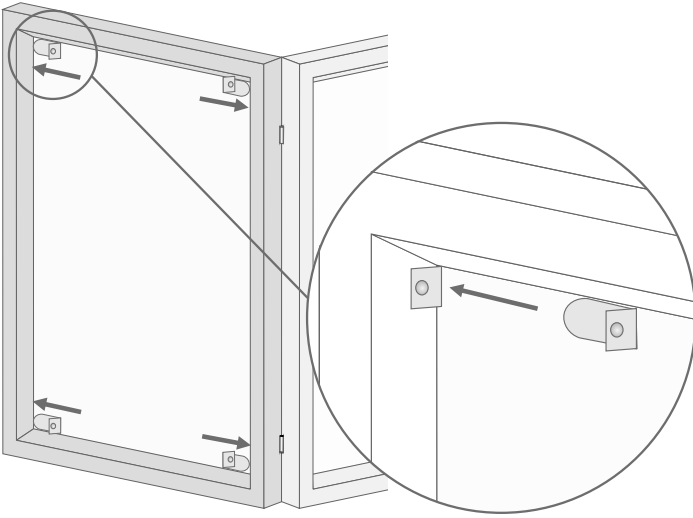
If there is any variation always use the shortest width to order your blinds. If the windows are particularly large you can take intermediate measurements to check.

### Measuring Drop



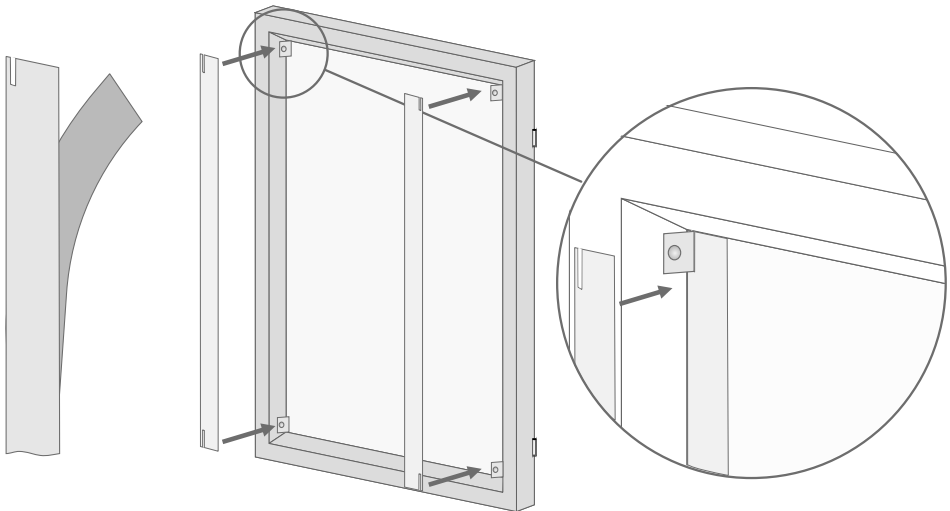
Take three measurements of the window drop. If there are any variations, then always use the longest measurement.

You must measure accurately and to the nearest millimetre to ensure a good fit.



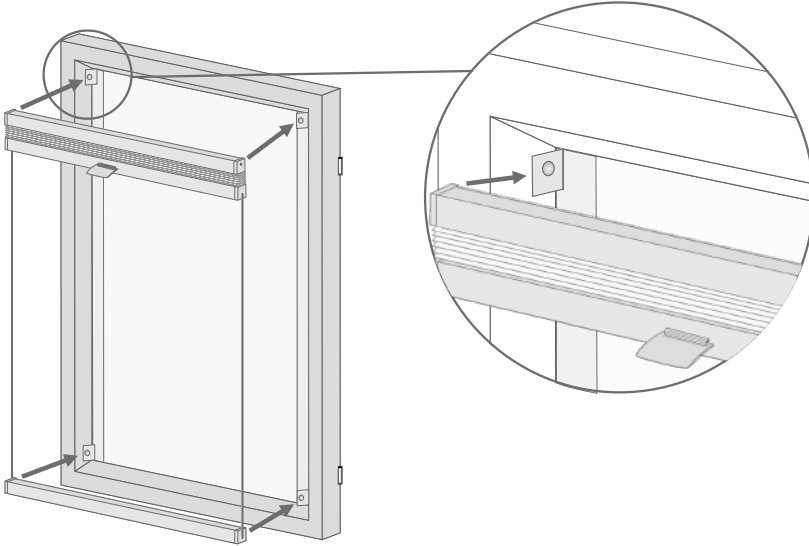
## Fit the brackets

Place the bracket flat to the glass and push it in towards the window frame ensuring that it slides in under the rubber seal. Push the bracket in as far as possible. Do the same with the other three brackets in the other corners of the glass, as shown in the diagram.



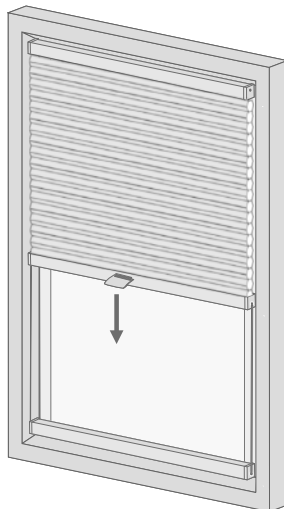
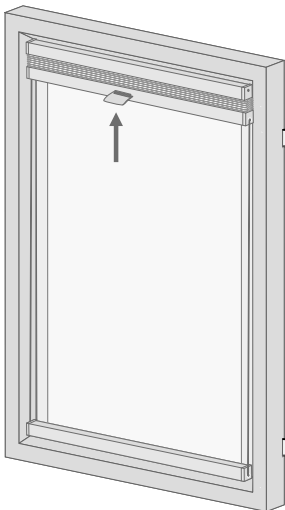
## Applying the side profiles

First remove the backing paper from the self adhesive strips. Place the the strip so that the cut outs go either side of the brackets.



## Install the blinds

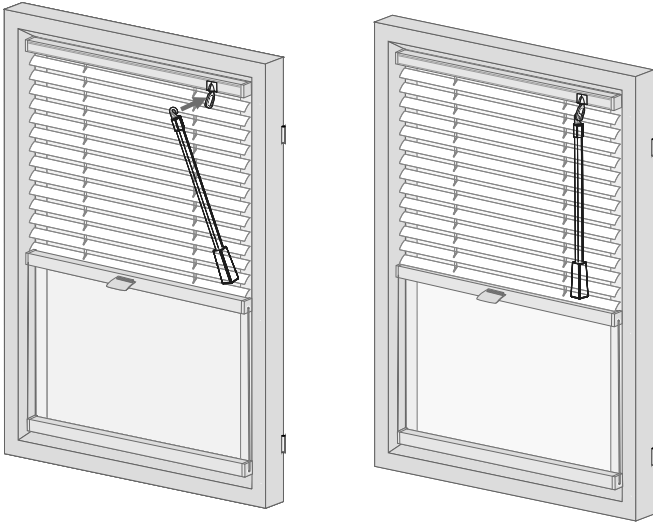
Locate the slot on the back of the left and right side of the headrail onto the exposed brackets. Gently push first the headrail and then the bottom rail onto the exposed bracket. Ensure the raised circle on the exposed bracket locates into the hole on the plastic head and bottom rail end caps. The cord tension can be adjusted using the small spring inside the bottom rail.



## Operating the blinds

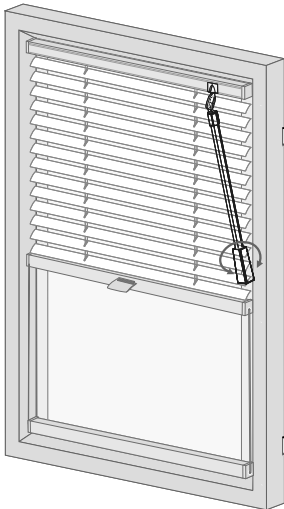
To raise and lower the blinds simply pull up and down using the handle.

The clever, fold away handle makes it ideal to use on bi-fold doors where it is important that the blind does not protrude further than the window frame.



### For venetian blinds only

Attach the plastic wand by hooking the wand onto the tilt mechanism on the venetian blind.



Twist the wand to open  
and close the slats